



ClockedIn 
Time & Attendance Systems

Installation Guide

SmartHub-FT



The ClockedIn SmartHub-FT is an Android operating Facial Recognition device with thermal temperature recording technology. The facial sensor has a quick matching speed, high resolution, and can be operated touchless. Using Infrared technology, an abnormal temperature can be identified immediately.

The guidelines within this document must be adhered to upon installing the SmartHub-FT



SmartHub-FT Guidelines

Mounted – The SmartHub-FT must be mounted to a Wall/Turnstile bracket or mount (supplied by ClockedIn) – no other bracket/mount can be used.

Height – The device must be installed at an appropriate height and accessible for all users. It is recommended the SmartHub-FT is installed at a height range of 1.5m from the ground to center of the device. It is important that the camera, and infra-red sensor can identify the user.

Distance – For optimum use of the facial recognition and body temperature measurement, the user should stand within 0.7m – 1m away from the device. This distance should be considered when installing in narrow environments.

Location – A location which is quieter during the working day, such as a door entrance, reception or Admin office must be chosen. The device should not directly face people, e.g facing them as they walk through a corridor, this will avoid unexpected attendance exceptions being generated.

Power Outlet & Cables– It is recommended where possible the power outlet is installed at high level (2.0m - 2.2m) to avoid the possibility of damage or tampering. We would also recommend that a tamper proof cover is place over the power outlet. The power outlet should be no more than 1.5m (linear line of cable route not direct) away from the location of the device

Environment – Recommended for internal use only. If the SmartHub-FT is being installed externally for access control, the device must have appropriate covering from outside conditions such as wind or rain, this will help prevent instances of accidental damage or incorrect temperature readings.

- Device ambient operating temperature – 15-35°for temperature body temperature recording.
- Avoid direct sunlight and rain as will severely affect performance of device.

Contactless – It is recommended that the SmartHub-FT is used in ‘Swipe & Go’ mode. No physical interaction to Clock In/Out will be required, e.g touching the screen.

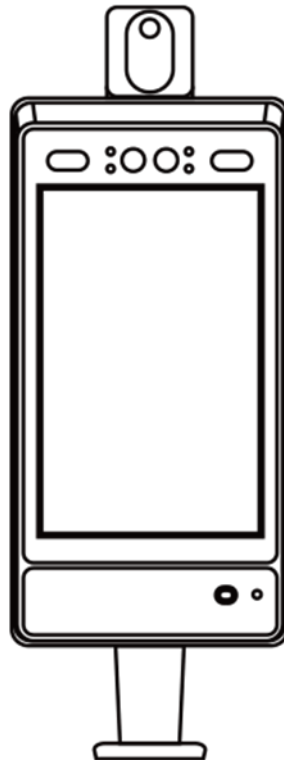
Please note – The warranty of your SmartHub-FT may become invalid should the above guidelines have not been adhered too.



If you have any queries regarding the guidelines, please contact ClockedIn.

To ensure your SmartHub-FT is installed to a high standard, ClockedIn can provide an installation service with On-Site software training included.

Quick Install Guide



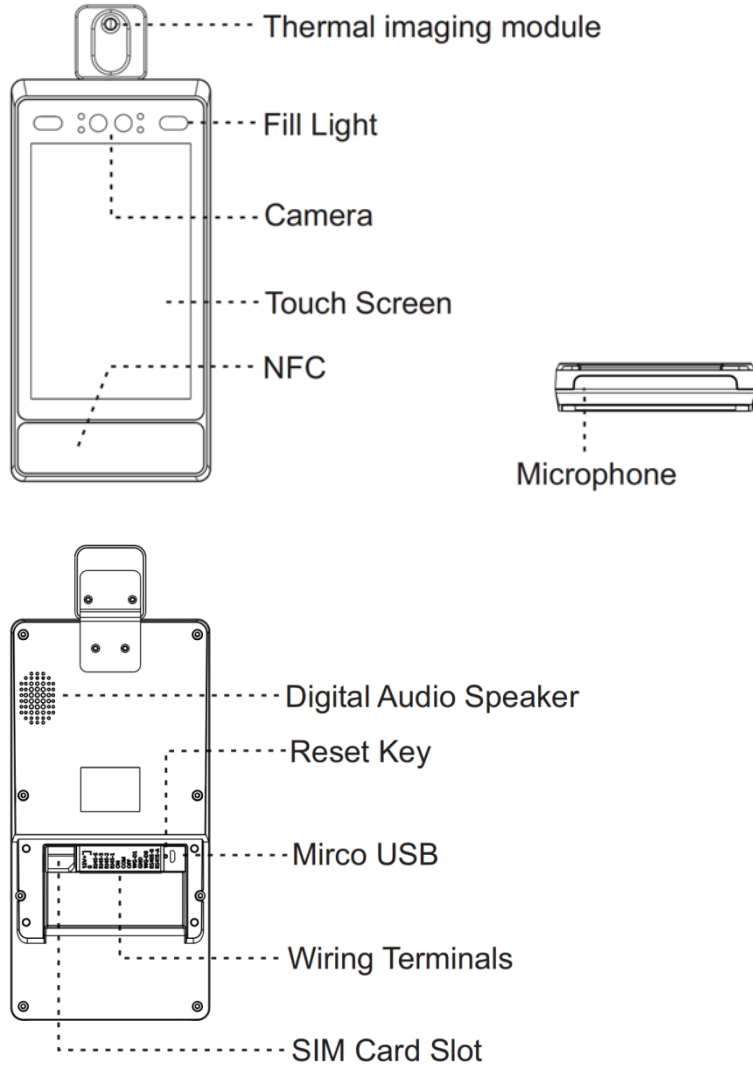
Notice

ClockedIn owns the copyright of all content contained in this guide. Without our company's permission, the content shall not be reproduced, modified or used in any form.

As the product is updated regularly, we cannot guarantee the consistency of the actual product with the contents of the manual. Our company is not responsible for any disputes and liabilities caused by the differences between the actual technical parameters and this guide.

The manual is subject to change without prior notice.

2. Product Overview



2. Device Installation

2.1 Installation environment

To ensure the temperature measurement accuracy of the equipment, please follow the following requirements.

- Equipment installation indoor environment.
- The equipment should not be directly facing the air conditioner and fan, avoid direct sunlight, and require no obvious rapid temperature change environment.

2.2 Precautions for Use

Temperature detection distance:

- The best distance for temperature measurement: between 0.5-0.7m with highest accuracy. The accuracy decreases if the temperature detection distance out of this range.

Body temperature detection:

- To ensure the accuracy of temperature detection, temperature detection must be performed on the forehead.

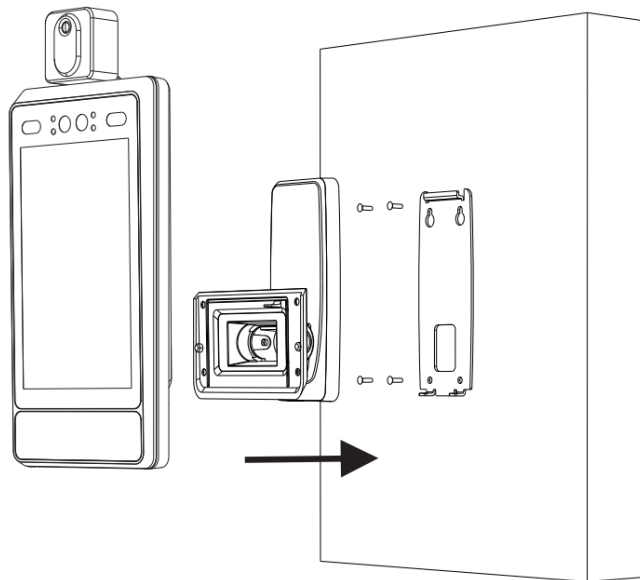
Matters needing attention for temperature detection:

- Temperature measuring equipment should be installed in a room with no ventilation. Room temperature should between 10°C to 35°C.
- The device should be pre-started and warm up for 10 minutes, until the sensor temperature and ambient temperature are balanced.
- When measuring temperature, the forehead should be directly facing the temperature measuring area to ensure the measuring accuracy.
- During temperature measurement, do not move the forehead position, to avoid temperature change caused by forehead position change.
- Make sure there is no cover on the forehead (hat, hair) and no sweat on the forehead when doing temperature measure.
- Don't cover your forehead with cold water or warm water before measurement.
- When measuring temperature, avoid temporarily putting down or taking off your mask or glasses, to avoid temperature sudden change. Under these circumstances, please measure the temperature 30 minutes later: after drinking hot water, meals, naps, and exercise.
- Exposure to certain factors, such as showers, hair dryers and sprays, can change the temperature of the forehead.
- The temperature measurement accuracy will be affected when people enter the room from the cold outdoor environment. Please measure again in about 10mins after the body temperature return to normal.

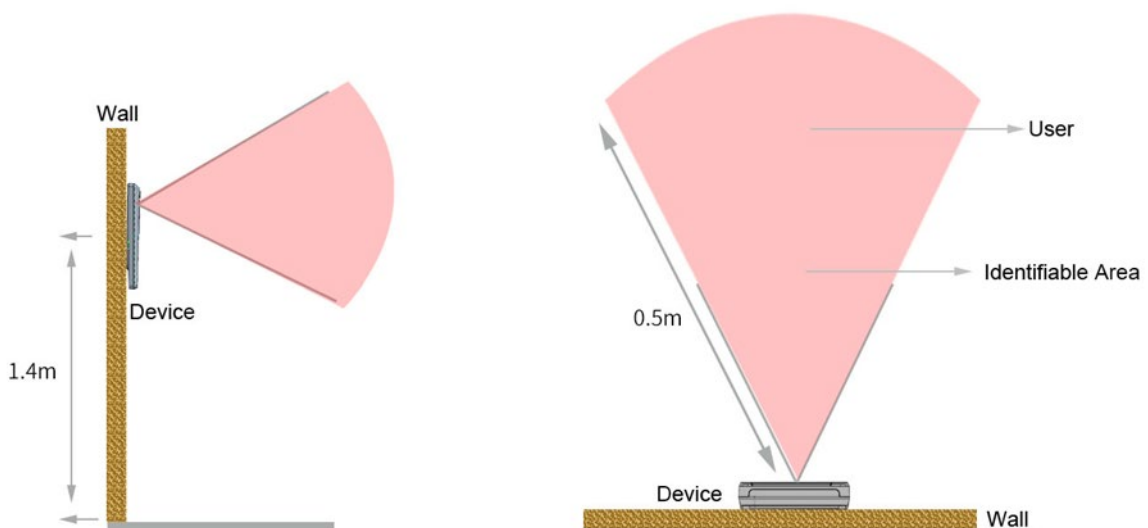
2.3 Wall Mounted

- Drill holes on the wall or other surface according to the mounting plate.

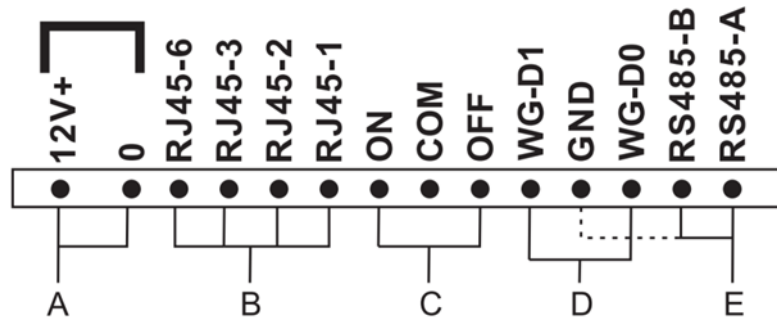
- Use four supplied self-tapping screws to secure the mounting plate on the wall.
- Route the cables through the cable hole of the mounting plate and bracket, and connect to the wiring terminals.
- Plug the wiring terminals into the device and use four supplied M5 screws to secure the bracket on the device.
- Align the device with the mounting plate and buckle them together, and use two supplied M3 screws to secure the device on the mounting plate.
- Adjust the tilt angle of the device according to your actual needs.
-



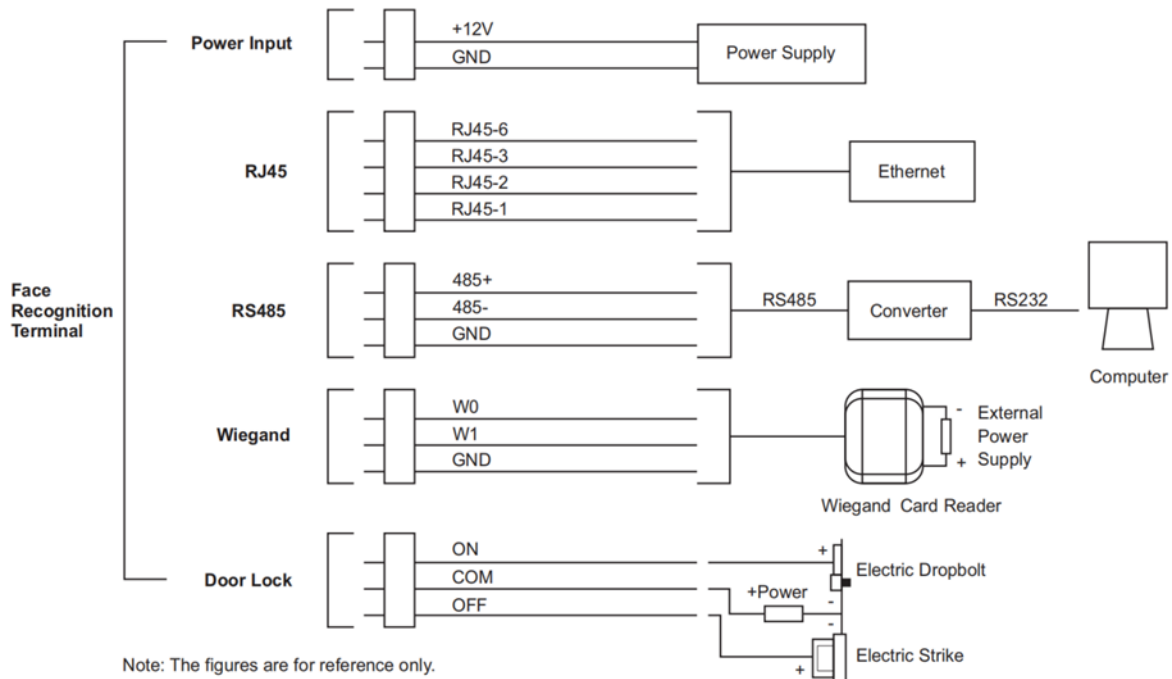
Height And Angle



Cable Connection



Group	Function	Color	Name
A	Power Input	Red (Thick) × 2	12V+
		Black (Thick) × 2	0
B	RJ45	Grey	RJ45-6
		Yellow	RJ45-3
		Orange	RJ45-2
		Brown	RJ45-1
C	Door Lock	Blue (Thick)	ON
		Green (Thick)	COM
		Yellow (Thick)	OFF
D	Wiegand	Blue	WG-D1
		Red	WG-D0
E	RS485	Black	GND
		Green	RS485-B
		White	RS485-A



3. Usage Tips

3.1 Distance for Temperature Measurement

- Best distance for temperature measurement: 0.5m.
- Recommended distance for temperature measurement is 0.5m to 0.7m. Otherwise the precision will be affected as the distance reduced or increased.

3.2 Body Part for Temperature Measurement

- In order to guarantee the accuracy of temperature detection, the temperature measurement area is the forehead area.

3.3 Cautions for Temperature Measurement

- To ensure the exact measuring area, for forehead position is required to be on the right place of the face frame on the TPS980 LCD when measuring temperature.
- **DO NOT** move your forehead when measuring temperature.
- Ensure there is no shield (such as hat, hair) or sweat on forehead when measuring temperature.

- **DO NOT** use cold water or hot water on forehead before measuring temperature.
- **DO NOT** suddenly take off your mask or glasses when measuring temperature.
- Please wait 30 minutes to measure temperature after drinking hot water/having meal/sleeping/taking exercise.

4. Device Specifications

CPU	Dual-Core 1.8GHZ+Quad-Core 1.4GHZ
OS	Android 7.1
RAM/ROM	4GB/16GB
LCD Display	8", 1280*800 Touch Panel
Communications	Ethernet/WiFi/Bluetooth LTE/GPRS
Sensor	Infrared Sensor
Body Temperature Measurement	Precision $\pm 0.3^{\circ}\text{C}$, best use distance of 0.7m-1m from device
Camera	Front: Dual-lens Camera (RGB+IR), 2MP+1.3MP
Fill Light	White LED
Peripheral Ports	1 DC Port, 1 RJ45, 1 micro USB, 1 Wiegand, 1 RS485
Keys	1 Reset Key
Audio	Digital Audio Speaker, Microphone
NFC Reader	ISO14443 Type A/B, Mifare, ISO18092 compliant
Power Supply	12V/2A
SIM Slots	1 SIM
Bracket	Wall Mount Bracket, Turnstile Mount Bracket
Dimensions (mm)	272(L)*135(W)*30(H)
Environmental	Operating temperature: -10°C – 45°C Storage temperature: -25°C - 60°C
MDM	Mobile Device Management

IP Rating	IP64 (Totally protected against dust & Protected against water splashed from all directions, limited ingress permitted)
Certification	CE