



**ClockedIn**   
Time & Attendance Systems

# Quick Start Guide

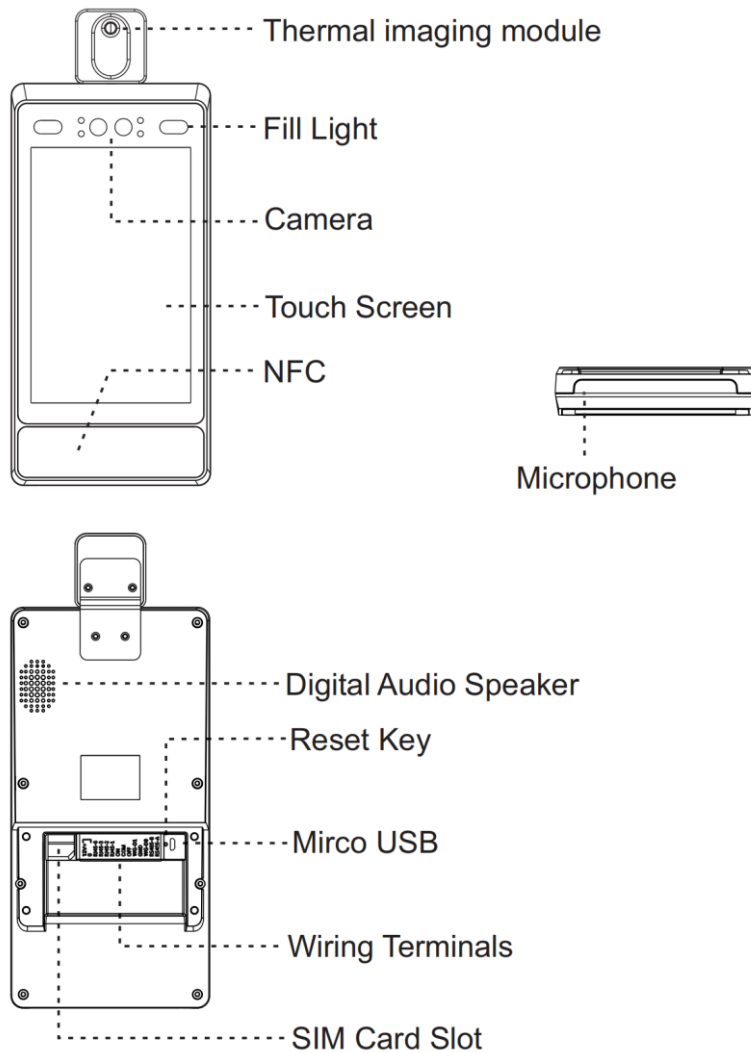
---

SmartHub-FT

## Contents

<b>1</b>	<b>OVERVIEW</b>	<b>2</b>
<b>2</b>	<b>DEVICE INSTALLATION</b>	<b>2</b>
2.1	WALL MOUNTED	2
2.2	TURNSTILE MOUNTED	3
2.3	HEIGHT AND ANGLE	4
2.4	CABLE CONNECTION	4
<b>3</b>	<b>USING TIPS</b>	<b>5</b>
3.1	DISTANCE FOR TEMPERATURE MEASUREMENT	5
3.2	BODY PART FOR TEMPERATURE MEASUREMENT	5
3.3	CAUTIONS FOR TEMPERATURE MEASUREMENT	5

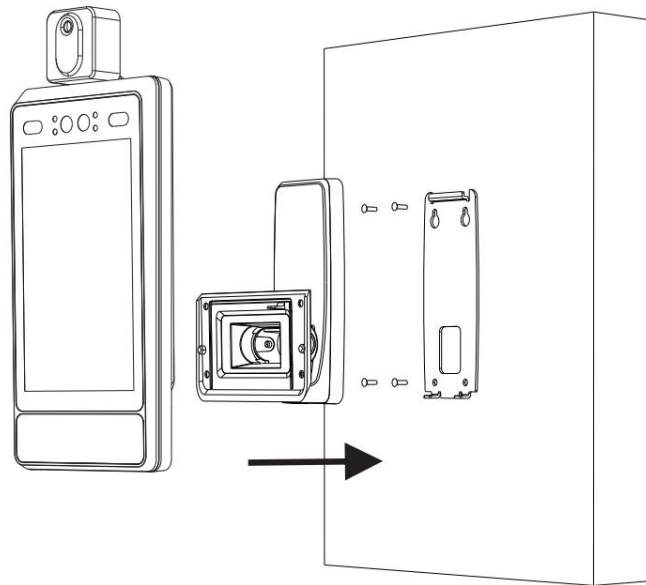
## 1 Overview



## 2 Device Installation

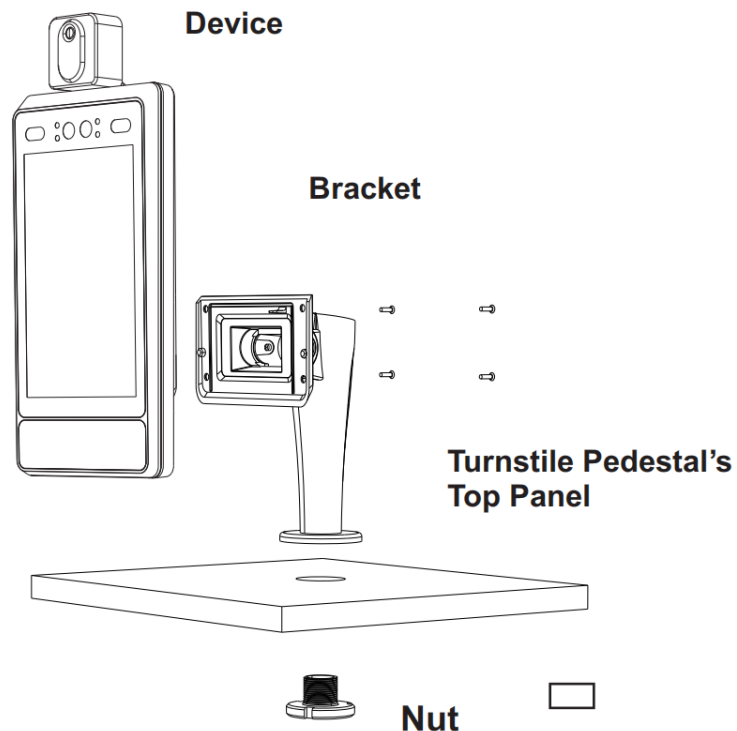
### 2.1 Wall Mounted

- ✧ Drill holes on the wall or other surface according to the mounting plate.
- ✧ Use four supplied self-tapping screws to secure the mounting plate on the wall.
- ✧ Route the cables through the cable hole of the mounting plate and bracket, and connect to the wiring terminals.
- ✧ Plug the wiring terminals into the device and use four supplied M5 screws to secure the bracket on the device.
- ✧ Align the device with the mounting plate and buckle them together, and use two supplied M3 screws to secure the device on the mounting plate.
- ✧ Adjust the tilt angle of the device according to your actual needs.

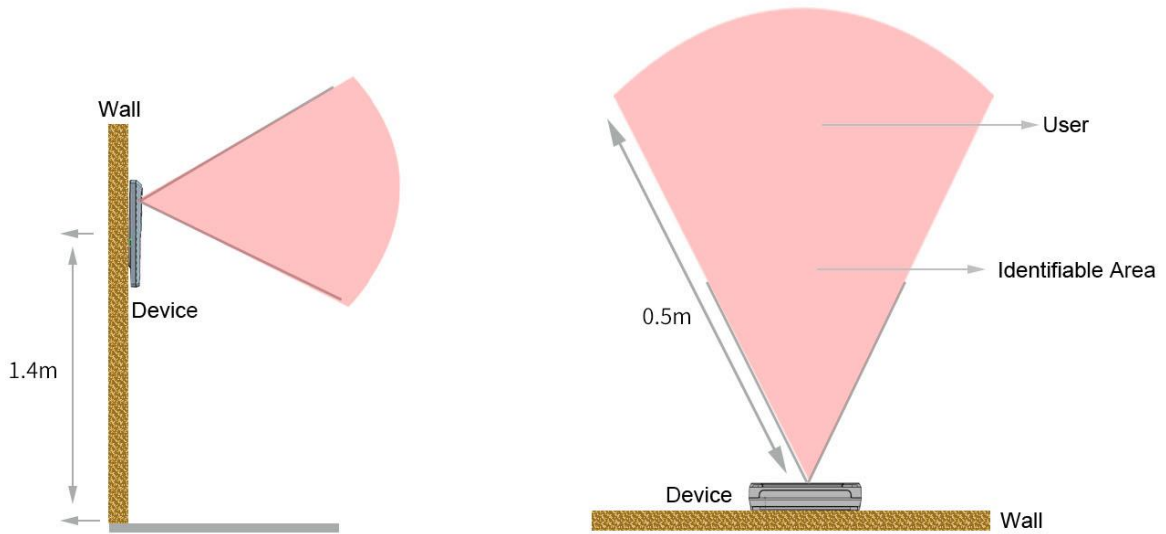


## 2.2 Turnstile Mounted

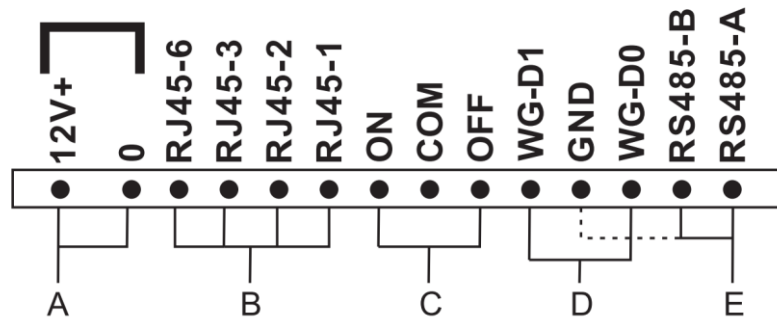
- ✧ Thread the cable through the nut, the cable holes on the turnstile pedestal's top panel, and route them through the bracket.
- ✧ Wire the cable with the terminals in the turnstile pedestal.
- ✧ Raise the bracket and make sure the bracket and the pedestal top panel are vertical.
- ✧ Rotate the nut and secure the bracket.
- ✧ Plug the wiring terminals into the device and use four supplied M5 screws to secure the bracket on the device.
- ✧ Adjust the tilt angle of the device according to your actual needs.



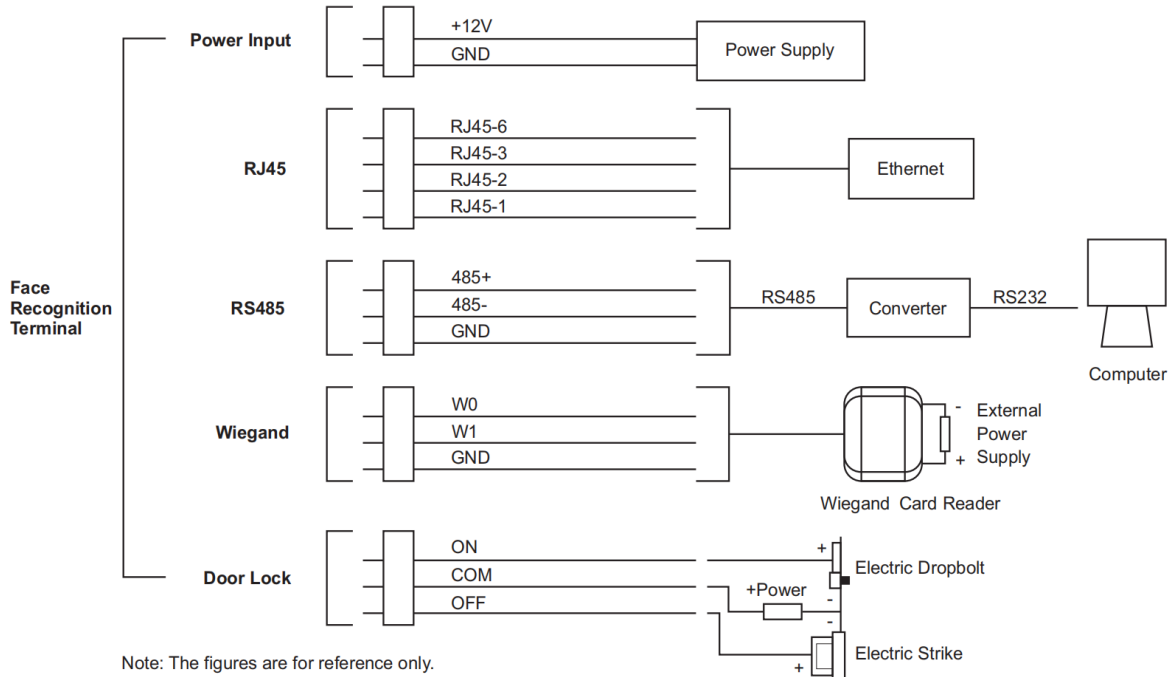
### 2.3 Height and Angle



### 2.4 Cable Connection



Group	Function	Color	Name
A	Power Input	Red ( Thick ) × 2	12V+
		Black ( Thick ) × 2	0
B	RJ45	Grey	RJ45-6
		Yellow	RJ45-3
		Orange	RJ45-2
		Brown	RJ45-1
C	Door Lock	Blue ( Thick )	ON
		Green ( Thick )	COM
		Yellow ( Thick )	OFF
D	Wiegand	Blue	WG-D1
		Red	WG-D0
E	RS485	Black	GND
		Green	RS485-B
		White	RS485-A



### 3 Using Tips

#### 3.1 Distance for Temperature Measurement

- ✧ Best distance for temperature measurement: 0.5m.
- ✧ Recommended distance for temperature measurement is 0.4m to 0.6m. Otherwise the precision will be affected as the distance is reduced or increased.

#### 3.2 Body Part for Temperature Measurement

- ✧ In order to guarantee the accuracy of temperature detection, the temperature measurement area is the forehead area.

#### 3.3 Cautions for Temperature Measurement

- ✧ To ensure the exact measuring area, the forehead position is required to be on the right place of the face frame on the SmartHub - FT LCD when measuring temperature.
- ✧ DO NOT move your forehead when measuring temperature.
- ✧ Ensure there is no shield (such as hat, hair) or sweat on forehead when measuring temperature.
- ✧ DO NOT use cold water or hot water on forehead before measuring temperature.
- ✧ DO NOT suddenly take off the mask or glass when measuring temperature.
- ✧ Please wait 30 minutes to measure temperature after drinking hot water/having meal/sleeping/taking exercise.